



US00D656824S

(12) **United States Design Patent**
Haile

(10) **Patent No.:** **US D656,824 S**

(45) **Date of Patent:** **** *Apr. 3, 2012**

(54) **BOTTLE WITH TRANSPARENT WINDOW**

(76) Inventor: **Danny Lee Haile**, La Mirada, CA (US)

(*) Notice: This patent is subject to a terminal disclaimer.

(**) Term: **14 Years**

(21) Appl. No.: **29/379,630**

(22) Filed: **Nov. 22, 2010**

Related U.S. Application Data

(63) Continuation-in-part of application No. 29/350,948, filed on Nov. 25, 2009, now abandoned.

(30) **Foreign Application Priority Data**

May 25, 2010 (JP) 2010-012837

(51) **LOC (9) Cl.** **09-01**

(52) **U.S. Cl.** **D9/503; D9/551**

(58) **Field of Classification Search** D9/418,
D9/434, 500, 502-505, 516, 549-550, 558,
D9/571, 574-575, 715, 718-719, 551, 564;
D4/116; D28/4, 7, 76-77, 99; 206/15.2,
206/15.3; 401/129; 215/379, 381-382; 220/660,
220/669, 675

See application file for complete search history.

(56) **References Cited**

U.S. PATENT DOCUMENTS

D28,240 S	2/1898	Wellhouse
D68,779 S	11/1925	Gibson
D69,493 S	2/1926	Ciardi
D73,190 S	8/1927	Mezitis
D76,350 S	9/1928	Love et al.
D78,110 S	3/1929	Lancet
D121,927 S	8/1940	Miller, Jr.
2,249,832 A	7/1941	Hubschman
D157,414 S	2/1950	Parentice
D162,721 S	4/1951	Ferraro

D168,416 S	12/1952	McGinnis	
3,337,901 A	8/1967	Schefer et al.	
3,361,304 A	1/1968	Thompson	
3,362,587 A	1/1968	Postel	
D214,159 S *	5/1969	Hart et al.	D9/503
D259,252 S *	5/1981	Acker	D4/116
D298,514 S	11/1988	Dole et al.	
D326,339 S *	5/1992	Sherman et al.	D28/66
D330,859 S	11/1992	Schaeffer	
D332,919 S *	2/1993	Turnbull et al.	D9/500
D333,428 S	2/1993	Gobe	
D363,375 S *	10/1995	Arntsen	D4/116
D365,751 S	1/1996	Hsu	
D399,658 S	10/1998	Nosella	
D422,219 S	4/2000	Gobe	
D429,154 S *	8/2000	Chang	D9/503
D431,779 S	10/2000	Nosella	
D449,228 S *	10/2001	Nosella	D9/500
D449,531 S *	10/2001	Cooley	D9/500
D476,237 S *	6/2003	Canepa	D9/545
D476,901 S *	7/2003	Crawford	D9/557
D477,066 S	7/2003	Lonczak et al.	
D479,134 S	9/2003	Murata	
D487,703 S	3/2004	Orsomando	
D488,064 S *	4/2004	Crawford	D9/502

(Continued)

Primary Examiner — Ian Simmons

Assistant Examiner — Dana L Sipos

(74) *Attorney, Agent, or Firm* — Feldman Gale, P.A.; Walter C. Frank

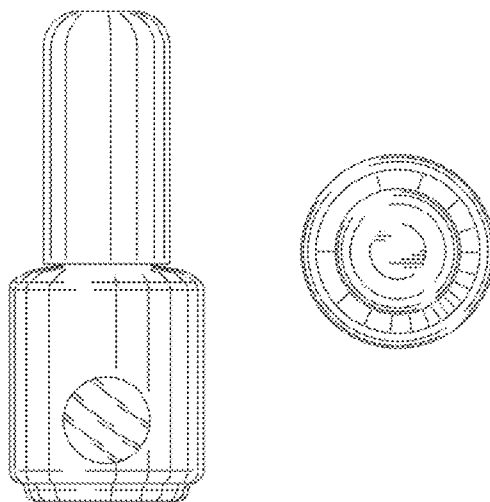
(57) **CLAIM**

The ornamental design for a “bottle with transparent window,” as shown and described.

DESCRIPTION

FIG. 1 is a front elevation view of a bottle with transparent window showing my new design;
FIG. 2 is a rear elevation view thereof;
FIG. 3 is a right side elevation view thereof;
FIG. 4 is a top plan view thereof; and,
FIG. 5 is a bottom plan view thereof.

1 Claim, 2 Drawing Sheets



US D656,824 S

Page 2

U.S. PATENT DOCUMENTS

D499,019 S	*	11/2004	Sagmeister et al.	D9/418	D563,798 S	3/2008	Gibson et al.	
D510,083 S	*	9/2005	Kasden	D14/207	D568,753 S	5/2008	Woolf	
D538,479 S		3/2007	Martinez		D569,734 S	*	5/2008	Imperato et al. D9/560
D543,113 S		5/2007	Mongeon et al.		D598,289 S		8/2009	Taylor
D543,114 S		5/2007	Mongeon et al.		D600,134 S		9/2009	Black
D543,459 S	*	5/2007	Konieczny	D9/505	D607,728 S		1/2010	Berger et al.
D556,040 S		11/2007	Kawashima et al.		D613,173 S		4/2010	Bansal
D556,043 S		11/2007	Rabie		D617,206 S		6/2010	Shaw et al.
D560,508 S		1/2008	Lepoitevin					

* cited by examiner

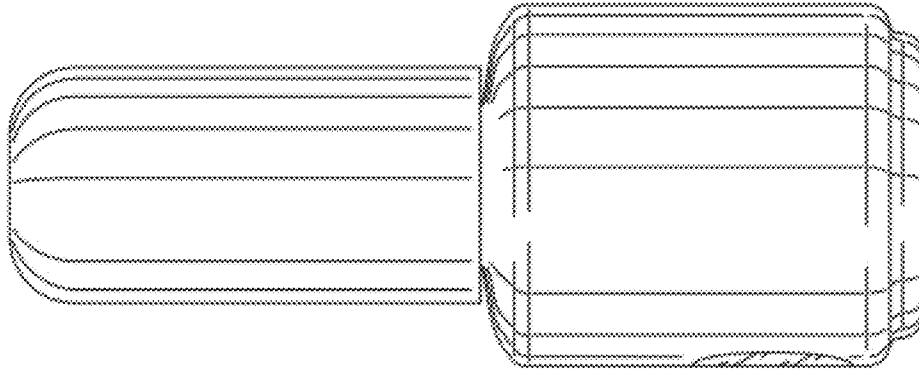


FIG. 1

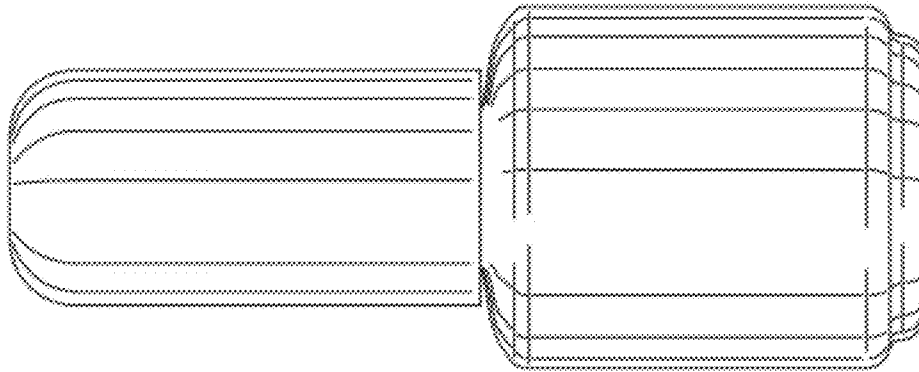


FIG. 2

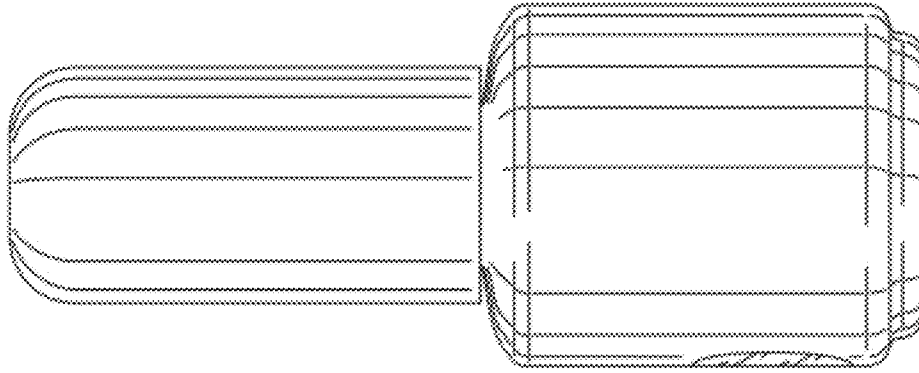


FIG. 3

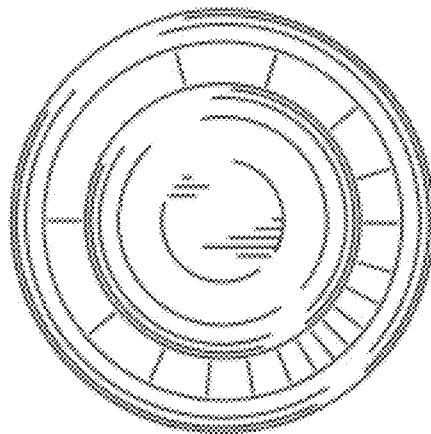


FIG. 4

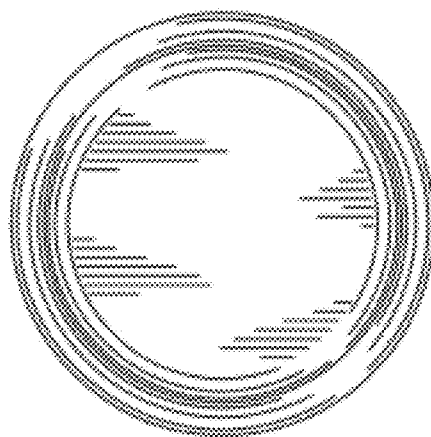


FIG. 5